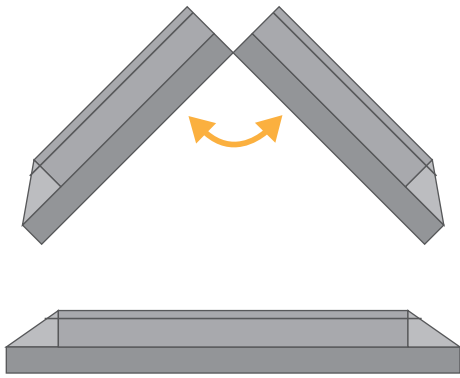
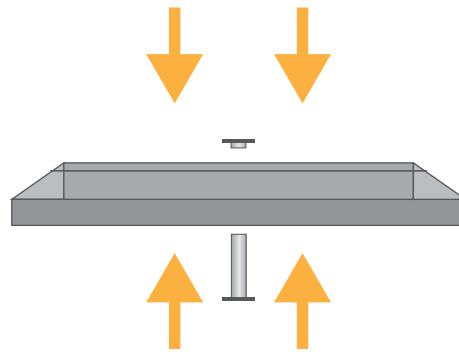


ASSEMBLY INSTRUCTIONS



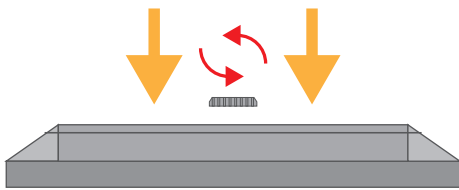
1. Open the two halves that make up the fillable plastic base

SIDE VIEW



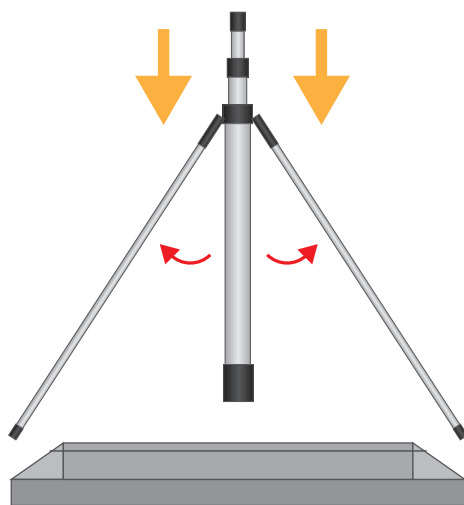
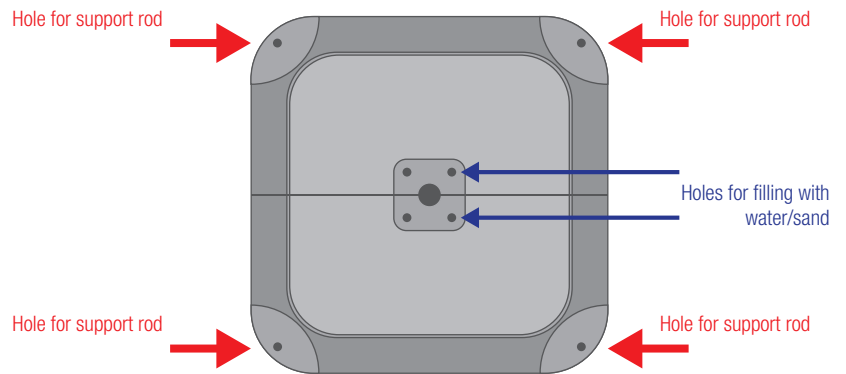
2. Lock the parts together by inserting the telescopic rod housing cylinder in the lower part, fixing it to the structure with the appropriate ring.

SIDE VIEW

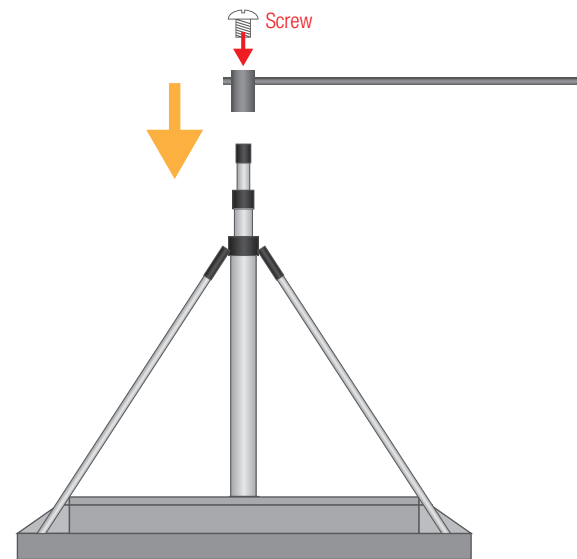


3. Secure everything by applying the supplied knurled cap.

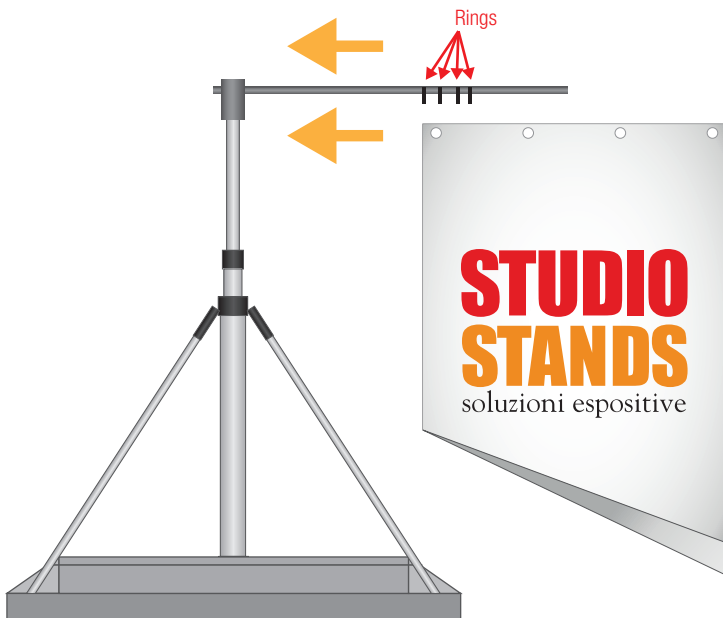
TOP VIEW



4. Spread the rods apart then insert the telescopic rod into the central hole and the support rods into the perimeter holes at the corners.
(to lock/unlock the support rods once inserted, use the clip hooks present)



5. Apply the flag-holder prop to the telescopic pole and secure it with the appropriate screw supplied



6. Attach the propeller rings to the top eyelets of the flag.



7. Connect the composite rings on the telescopic rod to the eyelets of the press and gradually extend the central pole.
(a counterweight is supplied to be applied to the last ring at the base of the print to ensure better visibility)



NOTE

In the lower part of the two halves that make up the Eolo Big base, there are caps to remove ballast (water/sand)



youtube.com/StudioStandsSrl
for the assembly video tutorial

INFO FILE

Formats:

.eps .pdf .jpg .tiff

Color profile:

CMYK

Images:

included within the file at at least 100dpi resolution in 1:1 scale or 1000dpi for 1:10 scale works

Fonts:

converted into paths

Die path:

Keep ONLY the outermost path - all other paths must be removed

Crop marks/register/color bars/file info:

DO NOT insert inside the file

————— **ABUNDANCE**

————— **CUT**

————— **SAFETY MARGIN**
(Do not place important content beyond this margin)

