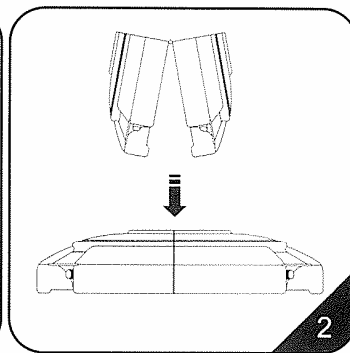
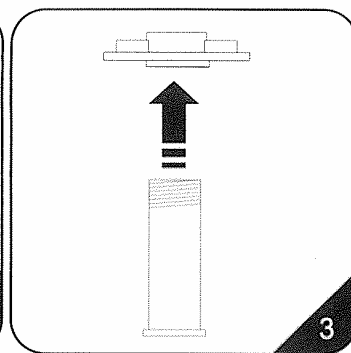


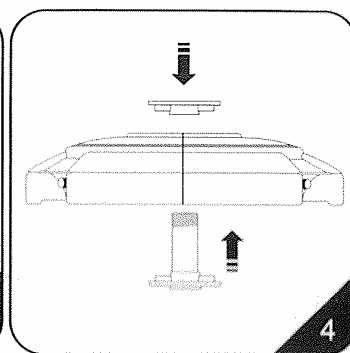
1. The whole product has two packages.



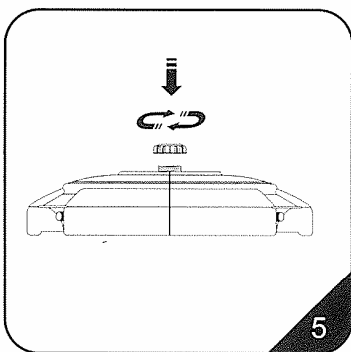
2. Unfold the base tank.



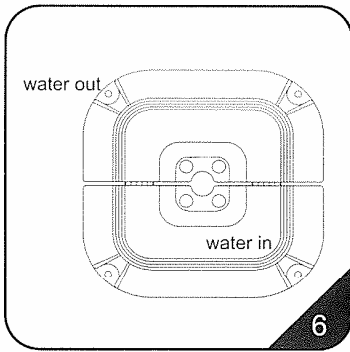
3. Fix the bottom connection-unit with orientation dowelling.



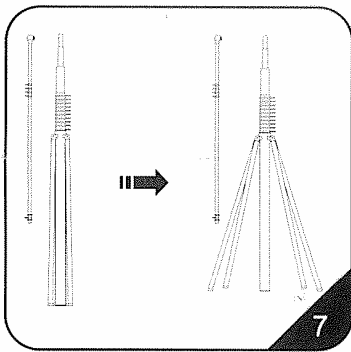
4. Assemble the upper connection-unit, unfolded-base and section (as step-3) together.



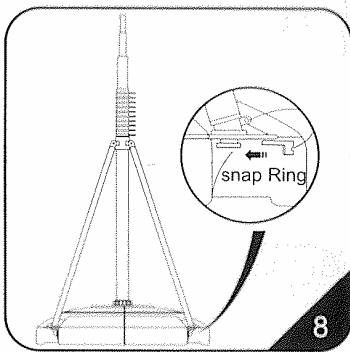
5. Fix the orientation nut against base.



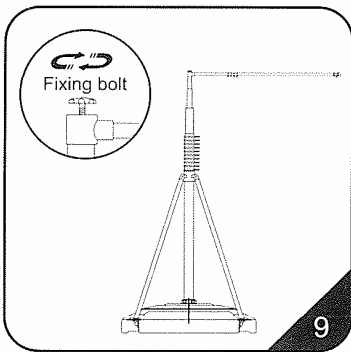
6. The base tank has two ports: 'water out' and 'water in'.



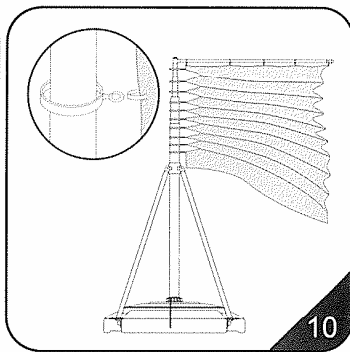
7. Detach the branches of the vertical-pole.



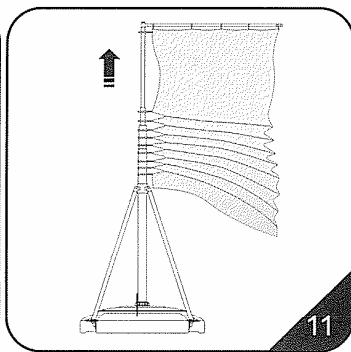
8. Make sure that the branches of the pole can be fixed at the base.



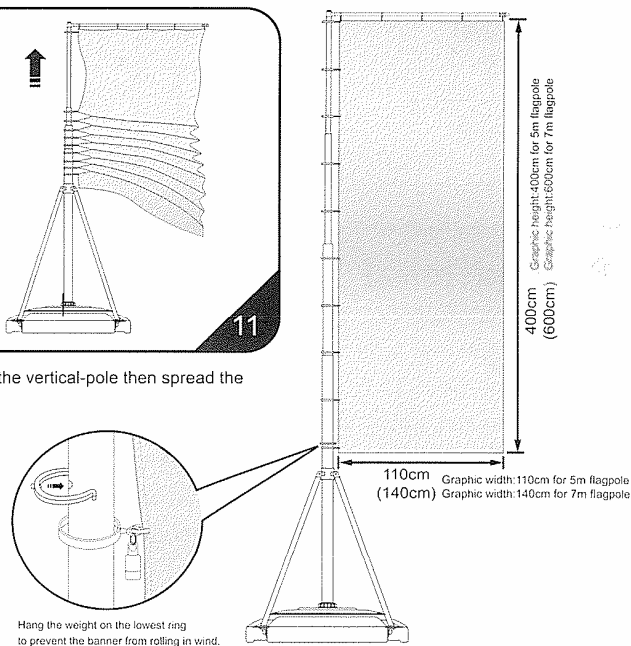
9. Connect the horizontal-pole and vertical-pole with the upper-screw.



10. Every hook with the banner should be hitched against the vertical-pole.



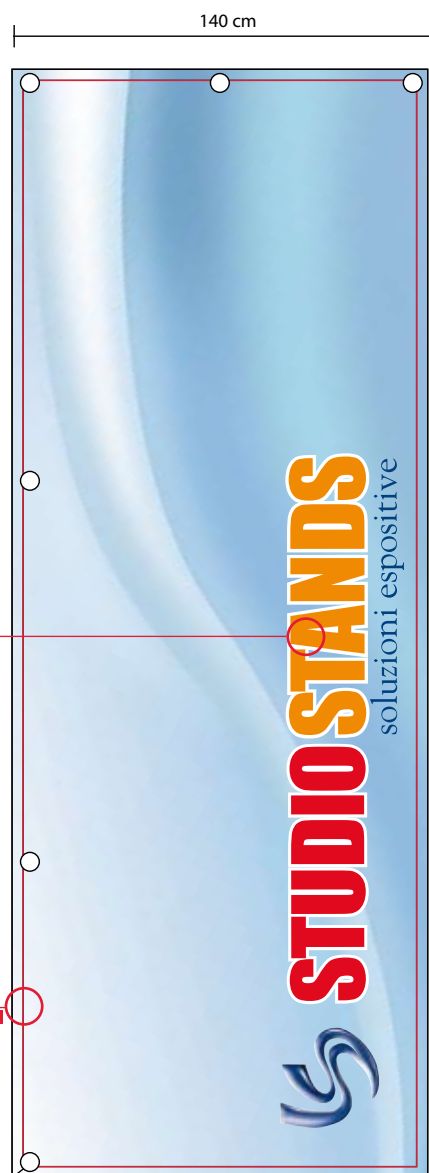
11. Hoist the vertical-pole then spread the banner.



ISTRUZIONI  
**STUDIO STANDS**

**Eolo Big**





Altezza variabile a scelta fino a 600 cm



La traccia qui a lato vi servirà come sagoma per la progettazione del vostro espositore.

Portare il tracciato nelle misure indicate.

ISTRUZIONI

 **STUDIO STANDS**

**Foto Big**

